

# INSTRUCTION MANUAL

## A959 1:18 4WD Off-Road Buggy RC car



## Specifications

### CONTENTS OF THE BOX:

- 1 x A959 RC car
- 1 x 2.4 GHz Remote control (4 x AA batteries not included)
- 1 x 7.4V 1100mAh Li-Po battery
- 1 x Charger
- 1 x Crossed spanner
- 1 x User manual

### SPECIFICATIONS:

- 2.4 GHz 4-Wheel drive RC car
- Scale: 1:18
- Speed: 45+ km/h
- Motor: 390 Electric machinery
- Control distance: 100 meters
- Li-Po battery: 7.4V 1100mAh
- Charge time: 150 minutes
- Operation time: 10 minutes
- Length: 245mm
- Width: 175mm
- Height: 94mm
- Wheelbase: 165mm
- Wheel span: 105mm
- Wheel diameter: 61mm
- Wheel width: 28mm

## Safety precautions

- Read the manual carefully and completely
- This model is not suitable for children under 14 years and contains small parts
- Children should only use this model under the supervision of an adult
- Keep hands, face, hair and clothes away from blades.
- Stand out of reach of moving parts of the copter
- After using the copter ALWAYS disconnect the battery and remove it from the device
- The model and the transmitter must be switched off after use
- Always fly in an open and safe environment where you will not cause any danger to others
- For the remote control, we recommend AA batteries with a voltage of 1.5 to 1.2 volts
- For people without experience, we recommend that you learn to fly with an experienced user during your first flights
- Before each flight, test the distance limit of the transmitter
- Keep these instructions safe
- Always follow local laws and regulations! Contact your reseller when in doubt.

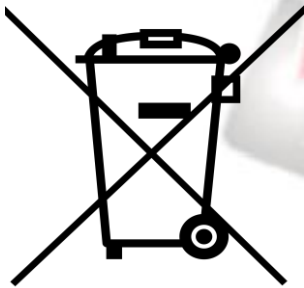
**DO NOT DRIVE:**

- Towards people or animals
- Towards large groups of people
- In limited visibility or dark conditions
- On an open road or towards cars or traffic

## Battery recycling recommendations

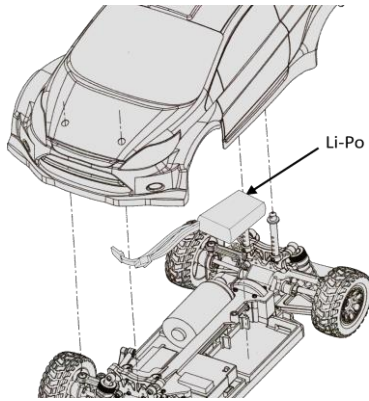
For the sensitive and rational conservation, protection and improvement of the quality of the environment, protection of human health and the preservation of natural resources, the user must send an unusable product to relevant facilities created to this purpose in accordance with the law.

The crossed out wheelie bin means that the product must be recycled (WARNING: do not throw it in your bin).



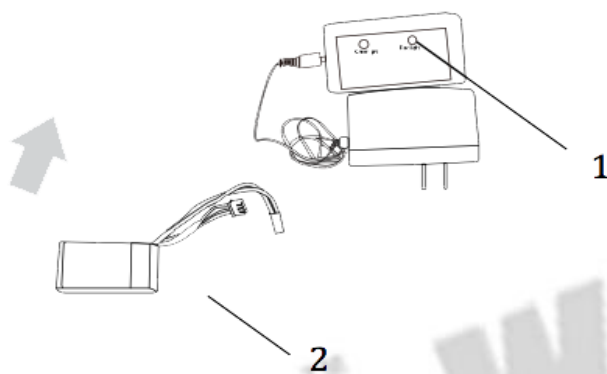
The user must return used batteries and rechargeable batteries. It is forbidden to dispose of used batteries in the bins containing household waste! Batteries / accumulators containing hazardous substances are marked with the crossed out wheelie bin. The symbol indicates that the product should be recycled. The chemical symbols for the respective hazardous substances are Cd (cadmium), Hg (mercury), Pb (lead). The used batteries can be disposed for free of charge at collection points in your community, stores or wherever batteries are sold. You are kindly requested to conform to your legal obligations and contribute to the protection of our environment.

## Li-po Battery instructions



- Keep the batteries out of reach of children
- Non-rechargeable batteries should not be recharged
- Unequally charged batteries or different battery types should not be used together
- Use recommended batteries or similar
- After using the copter, remove the batteries if you will not use it again for a long period of time
- The terminals must not be short-circuited
- This model is equipped with a rechargeable Li-po Battery. Li-po batteries require special attention, follow the manual
- The batteries must be charged with the charger supplied by WLtoys
- When charging the battery, always ensure that you do so on a non-combustible surface
- Do not leave charging without supervision
- Always charge the battery to 100%
- Ensure that the battery wires are not in contact to avoid a short-circuit
- The ignition wires of the battery must not be modified or damaged
- Never damage the battery mechanically (this could cause an explosion)
- The battery should not be placed near children (unless you have an adult supervision)
- The technical design of the battery must not be changed
- Touching of damaged batteries can cause injury. If there is contact with skin or eyes, seek medical attention immediately!
- Do not charge directly after the flight or when the battery is warm

## Battery charging



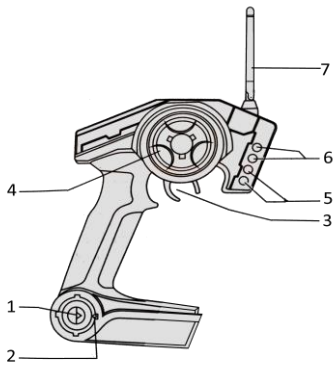
1. LED
2. Li-po Battery

Plug the charger into a wall socket and connect the battery to the charger. This can only be done in one way: by firmly connecting the charging cable. If the green light is on, the battery is fully charged and can be disconnected. Then do not forget to unplug the charger from the wall socket.

Green LED ON = charging battery  
 Green LED OFF = charged battery  
 Green LED flashing = damaged battery  
 Red LED ON = charger  
 Red LED OFF = damaged charger / not connected to a wall socket

Input : 220V  
 Charging Current : 500mA  
 Full Voltage: 4.2 +/- 0.03V

## Remote Control / Transmitter



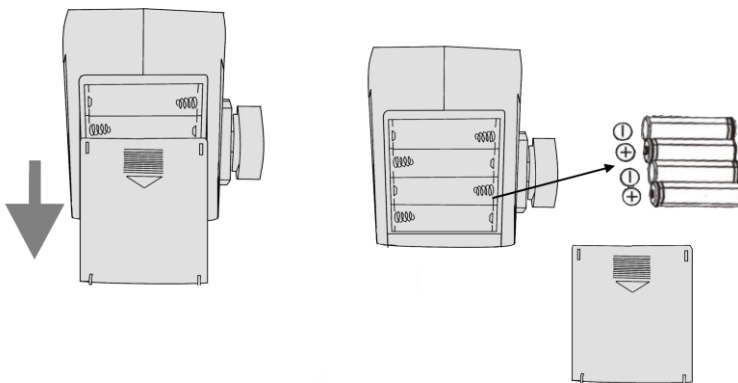
1. Power switch
2. Power LED
3. Throttle trigger
4. Steering wheel
5. Throttle trim
6. Steering trim
7. Antenna

- To turn on the remote control press the power switch (1). The power LED will light up, indicating that the remote controller is switched on.
- Acceleration and reverse can be controlled by the throttle trigger (3). Pull it backwards to accelerate forwards and push it forwards to reverse.
- Steering left and right can be controlled by the steering wheel (4).
- If the car has a deviation to the left or right side you can use the steering trim (6) to adjust this deviation.
- If the car slowly drives off while not using the throttle you can use the throttle trim (5) to adjust this deviation.

1

2

Insert the battery by sliding the cover down. Insert 4 x AA batteries as indicated under the cover.

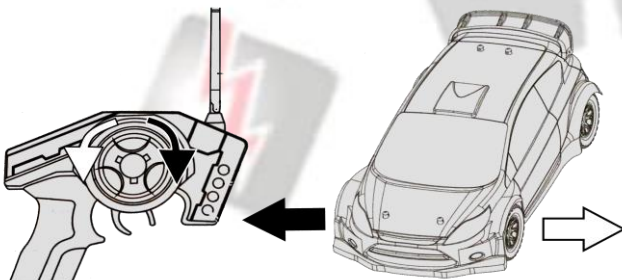


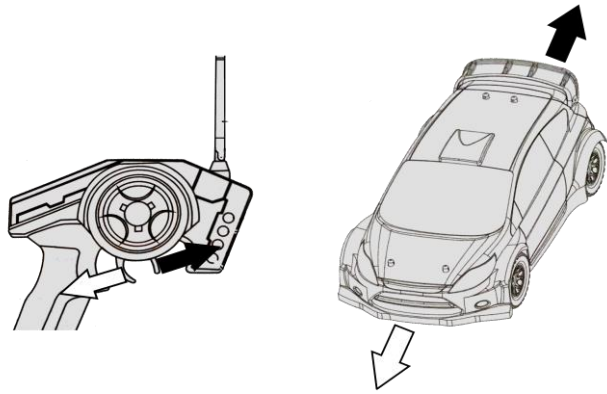
## How to drive

Driving is really simple, but requires some practice. Connect to [www.wltoys.eu](http://www.wltoys.eu) to watch educational films.

### STEERING

The steering wheel serves to steer the RC car to the left or the right.





## THROTTLE

The trigger serves to accelerate forwards or backwards.

## The first ride

1. For your first ride make sure to be with a person experienced in operating RC cars. We advise you to make your first ride in an open environment away from walls and other objects to protect the RC car.
2. Find a location away from people and animals, with a smooth surface and without obstacles
3. Make sure that you do not drive towards moving vehicles or any traffic at all.
4. Place the car on the ground about 10 feet away from you. It is advised to place the car with the front facing away from you. This will make it easier to control.
5. Switch on the car first and then switch on the remote control. A beeping sound will and light signal will indicate that the remote is switched on. When the beeping sound stops the control is connected with the RC car.
6. Gently use the throttle trigger to make the car move. You can look if the car has any deviation. If so you can adjust the steering using the steering trim.

### CAUTION

- Make sure you never lose the car out of sight when operating.
- Always use a fully charged battery.
- When finished driving, always switch off the car first then the remote control.
- Do not use the RC car when it has visible or mechanical damage.
- Always drive in an area without traffic.
- Never drive towards people or animals.
- Make sure to drive in a controlled and safe environment without obstacles and where no damage can be done.

## Adjustments

If the car has deviations regarding the throttle or steering, you can make adjustments by using the trim buttons on the remote. If the car accelerates automatically without using the remote, you can use the throttle trim buttons to adjust it. If the car has a deviation to the left or right when driving, you can use the steering trim buttons on the remote to adjust it.

Note: The car is pre-adjusted in the factory, it is usually not necessary to adjust it when you receive the product.

1. If the car does not operate at all, either the transmitter or receiver is switched off, the batteries are not properly placed or the batteries are not charged enough. Make sure that the transmitter and receiver are both switched on, the batteries are placed as described in the manual and the batteries are fully charged in both the transmitter and receiver.
2. If the car does not respond properly, it could be that someone is interfering with the radio frequency that you are using or there is not enough power in the transmitter or receiver batteries. Switch off the transmitter and receiver and switch them on again to make a new connection and make sure the batteries in both the receiver and transmitter are fully charged.
3. If the control distance is not reaching the correct distance, the antenna on the transmitter is probably not fully extended or tightened. Make sure the antenna is fully extended.

## Spare parts

The RC car is robust and not very sensitive for crashes, but in case of extreme crashes some parts may break. All parts can be ordered and easily assembled. Please contact your dealer or visit [www.wltoys.eu](http://www.wltoys.eu) for more information.

## WLtoys



Imported by: WLtoys.eu / DroneX BV  
Bloemstraat 86HS 1016 LE Amsterdam | [www.wltoys.eu](http://www.wltoys.eu) |  
[info@wltoys.eu](mailto:info@wltoys.eu)

Our products comply with the standards and criteria of the European Union and approved by the EC. For your safety, we recommend that you read the entire manual before your first flight.

Congratulations on your purchase of this product from wltoys.eu! WLtoys.eu offers its customers a high quality product. All our products are carefully tested before shipment. If unfortunately a problem persists, contact your dealer or visit [www.wltoys.eu](http://www.wltoys.eu). Your dealer can also assist you in getting spare parts in case you need them. We hope you will enjoy your experience with our product.

You can contact us at any time on : [www.wltoys.eu](http://www.wltoys.eu) | [support@wltoys.eu](mailto:support@wltoys.eu).  
You can find instructional videos and buy spare parts on our website [www.wltoys.eu](http://www.wltoys.eu).  
For technical support contact your reseller.

### WARNING:

**Non-compliance with safety rules may cause damage, injury and / or dangerous situations.**

## Warranty

The use of this product is entirely at your own responsibility and at your own risk. Since we have no control beyond this manual on when and how you use our product (both flying and maintenance), we are not responsible for any damages or costs incurred by improper use.

This warranty covers manufacturing and material defects in the context of normal use. We take no responsibility for damage caused indirectly.

**The following are excluded from the warranty:**

- **Damage caused by the failure to comply with security measures or instructions**
- **Extreme treatment which can not be contained in the usual standards**
- **Overloading the vehicle or external influences**
- **Homemade modifications on the product**
- **The damage caused by the loss of control of the vehicle**
- **Electric defects due to voltage overload or lightning**
- **Normal wear and tear of the device and parts**
- **The costs of transportation, shipping or insurance**
- **The damage caused by the humidity**
- **The damage caused by the loss of the product**
- **After three flights the warranty of brushed engines is void**